

cookworks

Whole Fruit Juicer

Model No. XJ-10401



Care & Instruction Manual

For household and indoor use only

Please read these instructions before use and retain for future reference



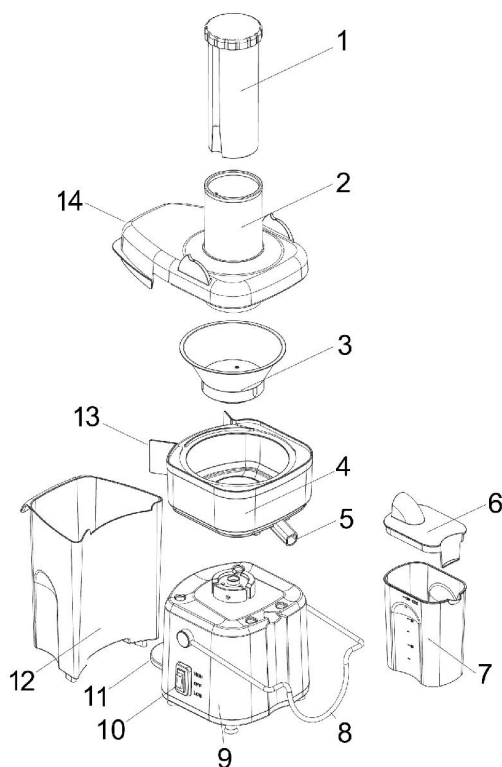
Electrical safety

- You should only plug the appliance into a 220V-240V AC, 50Hz supply. Connecting it to other power sources may damage the appliance and will invalidate the guarantee.
- Switch off and unplug when not in use and before assembling, cleaning or dismantling the appliance.
- This appliance shall not be used by children. Keep the appliance and its cord out of reach of children.
- This appliance can be used by persons with reduced physical, sensory or mental capabilities or lack of experience and knowledge if they have been given supervision or instruction concerning use of the appliance in a safe way and understand the hazards involved.
- Children shall not play with the appliance.
- Keep motor housing, cable, and plug dry and away from areas where it is likely to get splashed. Never immerse in water.
- Do not cover or block the ventilation holes.
- Do not pull on the cable to disconnect from the mains supply.
- Do not operate the appliance if damaged or after it malfunctions. In the event the supply cord is damaged, in order to avoid a hazard it must only be replaced by a qualified service engineer, with a suitably approved part.
- This appliance must be positioned so that the plug is accessible and the plug socket is within easy reach of the power cord.

Warning!

- This appliance is intended exclusively for use in domestic households. It is not suitable for commercial use.
- Always unplug the motor housing if unattended and before assembling, disassembling or cleaning.
- Only use with the parts supplied and fully assembled.
- Do not use the appliance if the rotating sieve is damaged.
- Do not cover the juicer and allow the motor housing to cool fully before storing.
- Do not leave unattended during use.
- The blades of the rotating sieve are sharp, take care when removing, emptying the juicer and during cleaning. This appliance can cause personal injury if misused.
- Never place hands or utensils inside the feed tube whilst the juicer is in use. Only use the pusher provided.
- Do not attempt to operate the juicer without the lid in place.

Parts

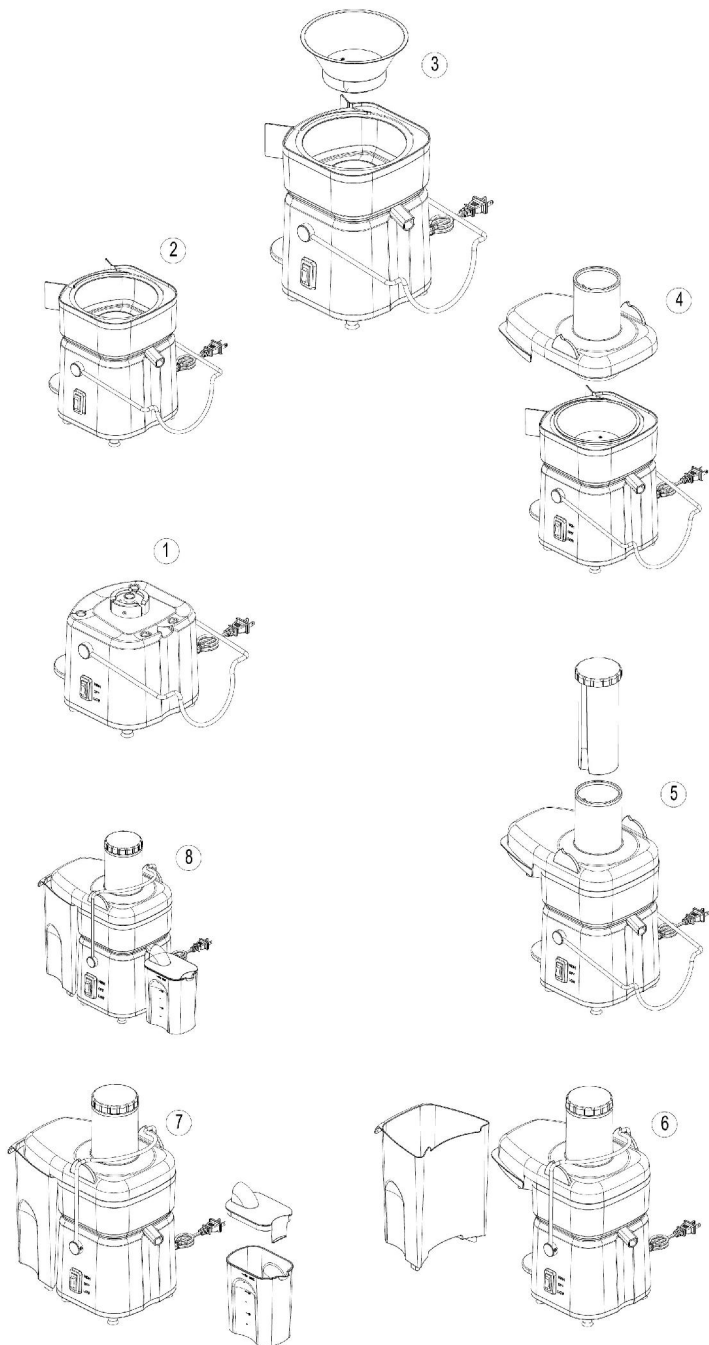


1. Pusher
2. Feed tube
3. Sieve
4. Bowl
5. Spout
6. Jug lid
7. Jug
8. Locking clip
9. Motor housing
10. Speed switch
11. Stand
12. Pulp container
13. Pulp outlet
14. Lid

IMPORTANT:

Your juicer is equipped with a safety feature and will not operate unless the lid is fully secured using the locking clip.

Assembly



Assembly (continued)

1. Dismantle and clean thoroughly before first use – see cleaning section.
2. Place the motor housing onto a stable, flat surface (fig. 1).
3. Fit the bowl onto the top of the motor housing (fig. 2) and then align the arrow on the side of the sieve with one of the arrows embossed on the drive spindle. Press downward on the sieve until the sieve engages with the spindle (fig. 3)
4. Fit the lid onto the top of the bowl (fig. 4) and insert the pusher (fig.5)
5. Lock the lid into position by fitting the metal clip into position over the top of the lid (fig. 6). **Ensure that clip is correctly fitted as this is an interlock device.**
6. **Tilt the juicer slightly** and fit the pulp collector under the lip of the lid and onto the motor housing stand (fig. 7).
7. Position the jug under the spout and fit the jug lid (fig. 8).

To use

1. Place the assembled juicer on a stable surface, check that the switch is in the off (0) position, fully unwind the cable and plug in.
2. Check that all parts are secure and that the locking clip is fully clipped into position. **The juicer will not operate if the clip is not fully closed.**
3. Prepare the food (e.g. remove the peel and pips from citrus fruit, cores from pineapple etc.) and cut the fruit into sizes that will pass down the feed tube.
4. Using the speed switch, select the appropriate speed for your ingredients. A slower speed will be obtained by selecting the lower speed setting (I) and a faster speed by selecting the higher setting (II). Use the slower speed setting for soft fruits and vegetables (e.g. oranges and watermelons) and the faster speed settings for hard fruits and vegetables (e.g. carrots).
5. Drop the fruit pieces down the feed tubes and if necessary gently push them down using the pusher supplied. Never place hands or utensils inside the feed tube whilst the juicer is in use. Only use the pusher provided. Ensure all loose articles (e.g. necklaces etc.), clothing (ties, scarves, sleeves etc.) are kept away from the feed tube.

To use (continued)

6. Extract juice for a maximum of 1 minute of continuous use. If longer is required rest the juicer for 3 minutes before using again.
7. After a total of 3 x 1 minute extraction cycles, the juicer should be rested for 30 minutes and allowed to cool to room temperature.
8. Do not over fill the feed tube. If food becomes stuck in the feed tube, use the pusher or another piece of fruit to dislodge it. If this is not possible, switch off the juicer and unplug from the mains supply before dismantling.
9. When the juice cup or the pulp collector is full, turn the speed switch to the off (0) position and empty the container before continuing to extract further.
10. To stop or interrupt the juicing process switch the appliance off by turning the speed control switch to '0' or by turning off at the mains.

Notes:

- Avoid using hard foods in the juicer as they may damage the rotating sieve.
- Do not run the juicer empty for more than a few seconds.

Juicing tips

- For the best taste and nutritional value use fresh fruit and drink the juice soon after extracting.
- Leave juice to settle for 1 minute after extracting.
- Push down slowly on the pusher to extract the maximum quantity of juice.
- Peel foods with thick skins (e.g. citrus fruit), remove seeds and pips (e.g. melons) where possible and hard cores (e.g. pineapple.) to prevent the sieve becoming clogged.
- Fruits with high starch or fibre content (e.g. bananas, mangos etc.) are not recommended for this juicer as they yield little juice or clog up the sieve.

Cleaning

Clean the juicer after each use. **Do not** clean any part of this appliance in a dishwasher

1. The inside of the juicer can be rinsed between fruits and the rotating sieve partly cleared before carrying out a full clean. To rinse the assembled juicer, move the speed switch to '1' and with the motor running pour a small quantity of water into the feed tube of the juicer. Discard the liquid.
2. When cleaning, switch off and unplug.
3. Dismantle and remove all loose parts from the motor housing. Take care when handling the sieve as it has sharp blades.
4. Wipe the outside of the motor housing with a damp cloth; do not use detergent or abrasives as these may scratch the surface. Never immerse the motor housing, cable or plug in water.
5. Empty the pulp container; rinse the sieve under running water using a small brush if necessary to remove debris from the sieve.
6. Wash all loose parts in hot water with a little washing up liquid. Rinse and wipe dry.

Technical specification

Rated voltage	220-240V AC 50/60Hz
Power consumption	700W
Class rating	2 (double insulated)
BS 1362 fuse	13A





PRODUCT GUARANTEE

This product is guaranteed against manufacturing defects for a period of



Year

This product is guaranteed for twelve months from the date of original purchase.

Any defect that arises due to faulty materials or workmanship will either be replaced, refunded or repaired free of charge where possible during this period by the dealer from whom you purchased the unit.

The guarantee is subject to the following provisions:

- The guarantee does not cover accidental damage, misuse, cabinet parts, knobs or consumable items.
- The product must be correctly installed and operated in accordance with the instructions contained in this manual. A replacement copy of this instruction manual can be obtained from www.argos-support.co.uk
- It must be used solely for domestic purpose.
- The guarantee will be rendered invalid if the product is re-sold or has been damaged by inexpert repair.
- Specifications are subject to change without notice.
- The manufacturer disclaims any liability for the incidental or consequential damages.
- The guarantee is in addition to, and does not diminish your statutory or legal rights.

Guarantor: Argos Ltd
489 - 499 Avebury Boulevard
Central Milton Keynes
MK9 2NW
www.argos-support.co.uk